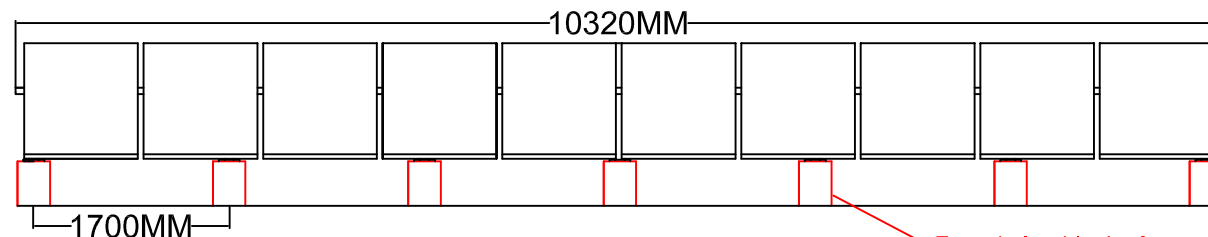
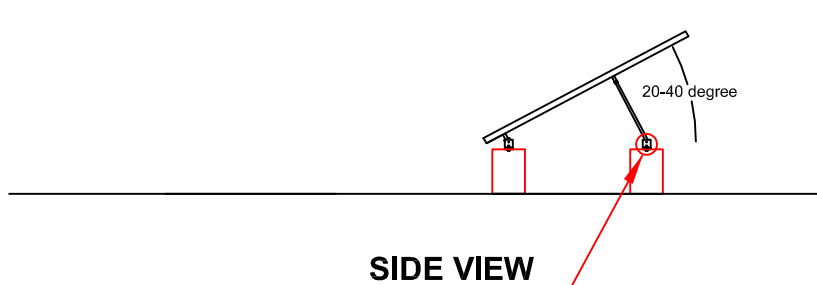
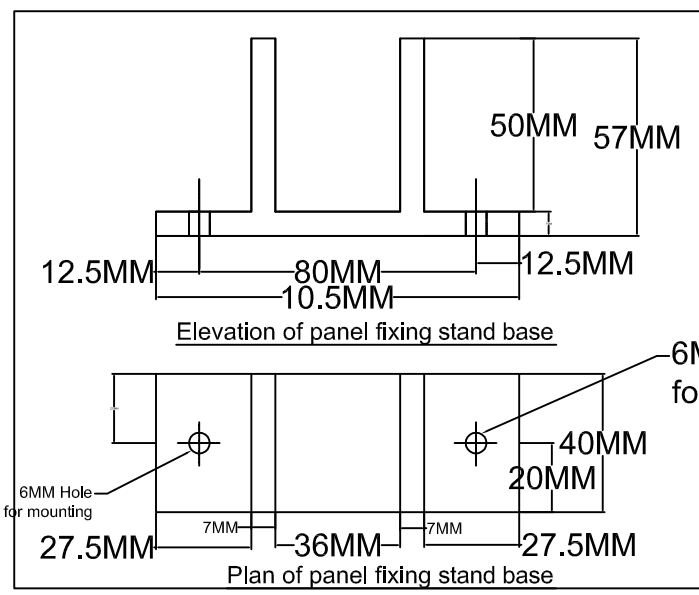
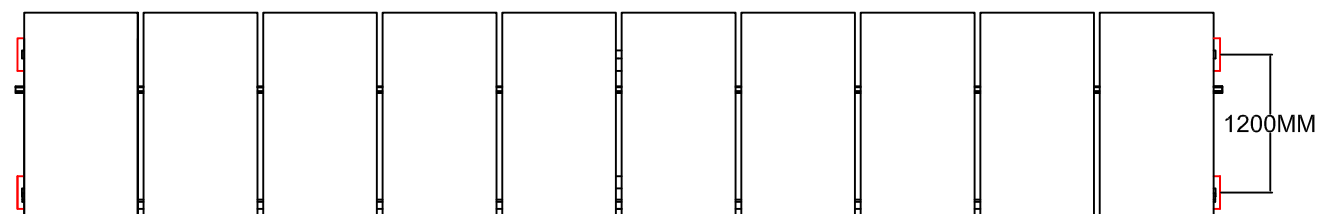
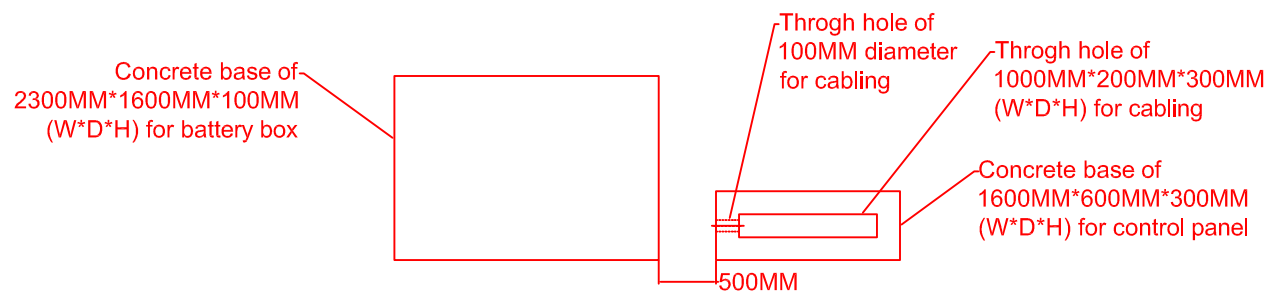


**MAXIMA L10 STAND (DUBAI MAKE)**

**STRUCTURE FOR 10 PANELS**

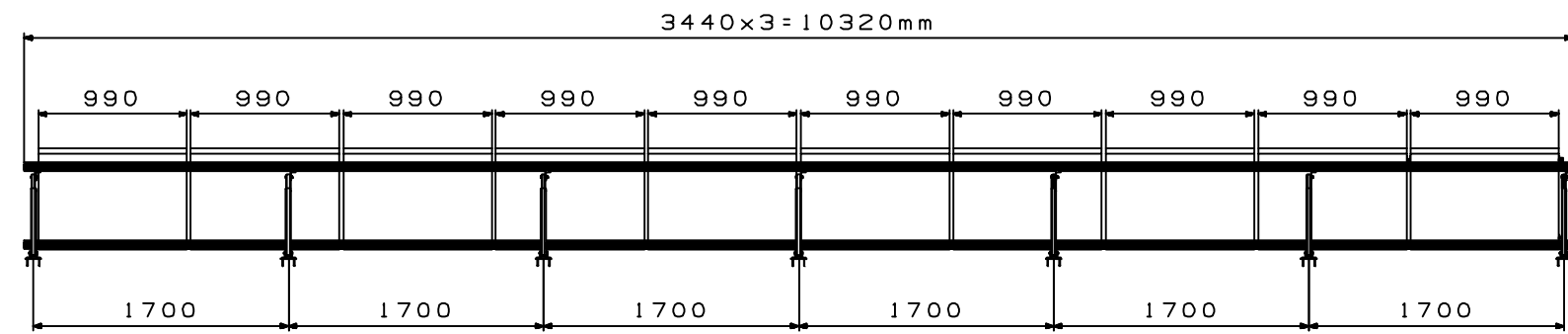


Foundation block of 400MM\*400MM\*250MM (W\*D\*H) \* 14 numbers



adjustable beam

M6.3 \* 75



**General Notes**

- Solar panel Capacity = 250WP
- Total number of Panels = 40Nos

No	Revision/Issue	Date

Prepared and Addressed  
 APEX POWER CONCEPTS & DUSOL INDUSTRIES, DUBAI

**APEX POWER CONCEPTS**

Project Name and Address

Drawing No: 0916-DWS-GAD-US-01  
 Project: 10Kwp  
 Date: 20/09/2016  
 Scale: 1/1  
 Drawn by: Yash K.C.  
 Date: N/A